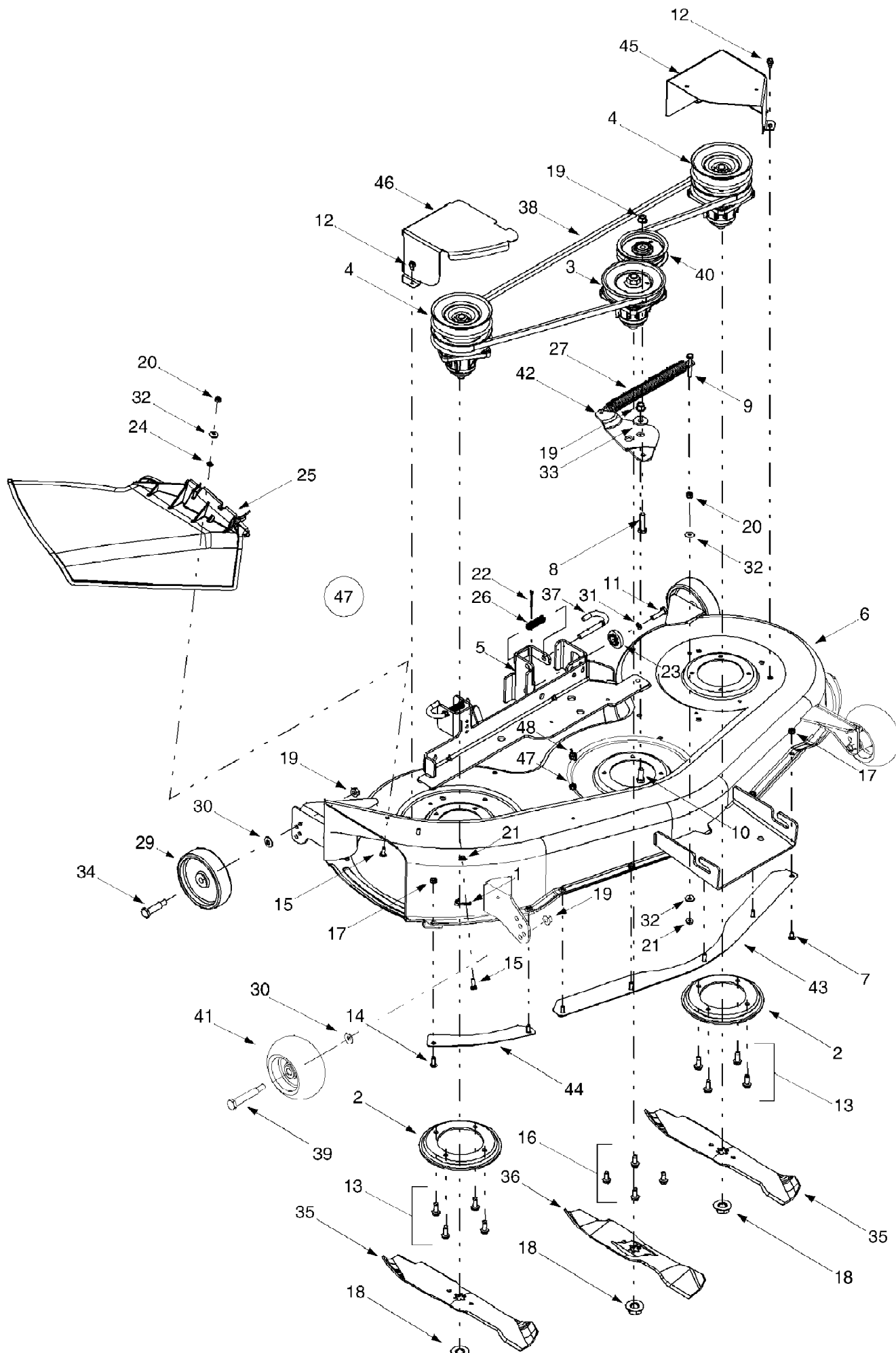


14BJ816H190 GT-2150 (2002)
46" Cutting Deck

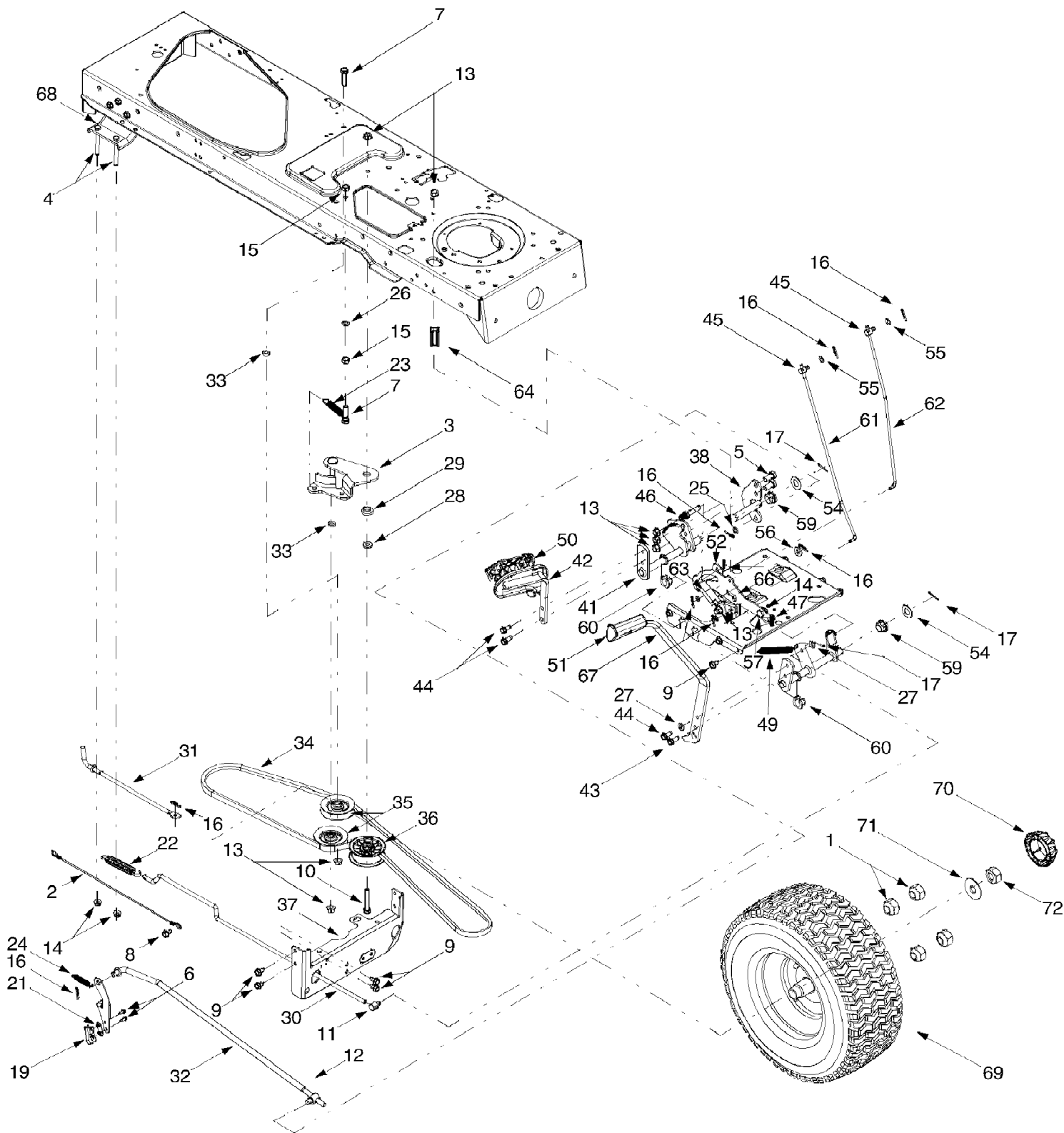


14BJ816H190 GT-2150 (2002)
46" Cutting Deck

Page 2 of 18

Ref #	Part Number	Qty	S/P/F	Description
1	16606	1	S	Retainer Hook
2	17982	1	S	Spindle Reinforcement Plate
3	618-0430A	1	S	Spindle Assembly, 5.0 Dia.
	756-1187	1		Pulley Only
4	618-0431	1	S	Double Pulley Spindle Assembly
	756-0603	1	/P	Double Pulley Only
5	683-0254	1	S	Deck Adjustment Bracket Assembly
6	683-0199C	1	/P	46-inch Deck Shell
7	710-0167	1	/P	Carriage Screw, 1/4-20 x .50
8	710-0344	1	/P	Hex Cap Screw, 3/8-16 x 1.5
9	710-0501	1	/P	Hex Cap Screw, 1/4-20 x 2.0
10	710-0514	1	/P	Hex Cap Screw, 3/8-16 x 1.0
11	710-0528	1	/P	Hex Cap Screw, 5/8-18 x 1.25
12	710-0599	1	/P	Self-tapping Screw, 1/4-20 x .5
13	710-0650	1	/P	Self-tapping Screw, 15/16-18 x .875
14	710-0703	1	/P	Hex Screw, 1/4-20 x .75
15	710-0751	1	/P	Hex Cap Screw, 1/4-20 x .62
16	710-1260A	1	/P	Self-tapping Screw, 5/16-18 x .75
17	712-0271	1	/P	Hex Sems Nut, 1/4-20
18	712-0417A	1	/P	Hex Flange Nut, 5/8-18
19	712-0431	1	S	Flange Lock Nut, 3/8-16
20	712-3006	1	/P	Hex Nut, 1/4-20
21	712-3027	1	S	Hex Flange Lock Nut, 1/4-20
22	714-0470	1	S	Cotter Pin, 1/8 x 1.25
23	717-1553A	1	S	Deck Adjustment Gear
24	726-0233	1	/P	Push Nut. .25 x .5
25	731-1032B	1	S	Side Discharge Chute Assembly
26	732-0306	1	S	Compression Spring, .406 x .531 x 1.75
27	732-0594A	1	S	Extension Spring, .91 x 7.3
?28	710-0578	1	/P	Screw, 1/4-20 x 1.5
29	734-0973	1	/P	Deck Wheel, 5 x 1.38
30	736-0105	1	/P	Bell Washer, .401 x .87 x .063
31	736-0119	1	S	Lock Washer, 5/16
32	736-0270	1	/P	Bell Washer, .265 x .75 x .062
33	738-0347	1	S	Shoulder Spacer, .625 x 1.16
34	738-0373	1	S	Shoulder Screw
35	742-0611	1	S	Three-in-one Blade, Star Center, 16.28"
36	742-0612	1	S	Three-in-one Blade, Star Center, 14.88"
37	747-1116	1	/P	Deck Release Pin
38	754-0349	1	S	Deck Belt, Poly
39	738-3056	1	S	Shoulder Screw, 1/2-2.5
40	756-0627B	1	S	Idler Pulley, 3.5
41	734-3058B	1	S	Deck Wheel, 5.0
42	783-0139A	1	S	Idler Bracket
43	783-0141	1		Center Deck Skirt
44	783-0142	1	S	RH Deck Skirt
45	783-0747	1	S	LH Belt Cover
46	783-0805A	1	S	RH Belt Cover
47	753-0875	1	/P	46-inch Deck Assembly Complete
48		1		UNKNOWN

14BJ816H190 GT-2150 (2002)
Drive & Rear Wheels



14BJ816H190 GT-2150 (2002)
Drive & Rear Wheels

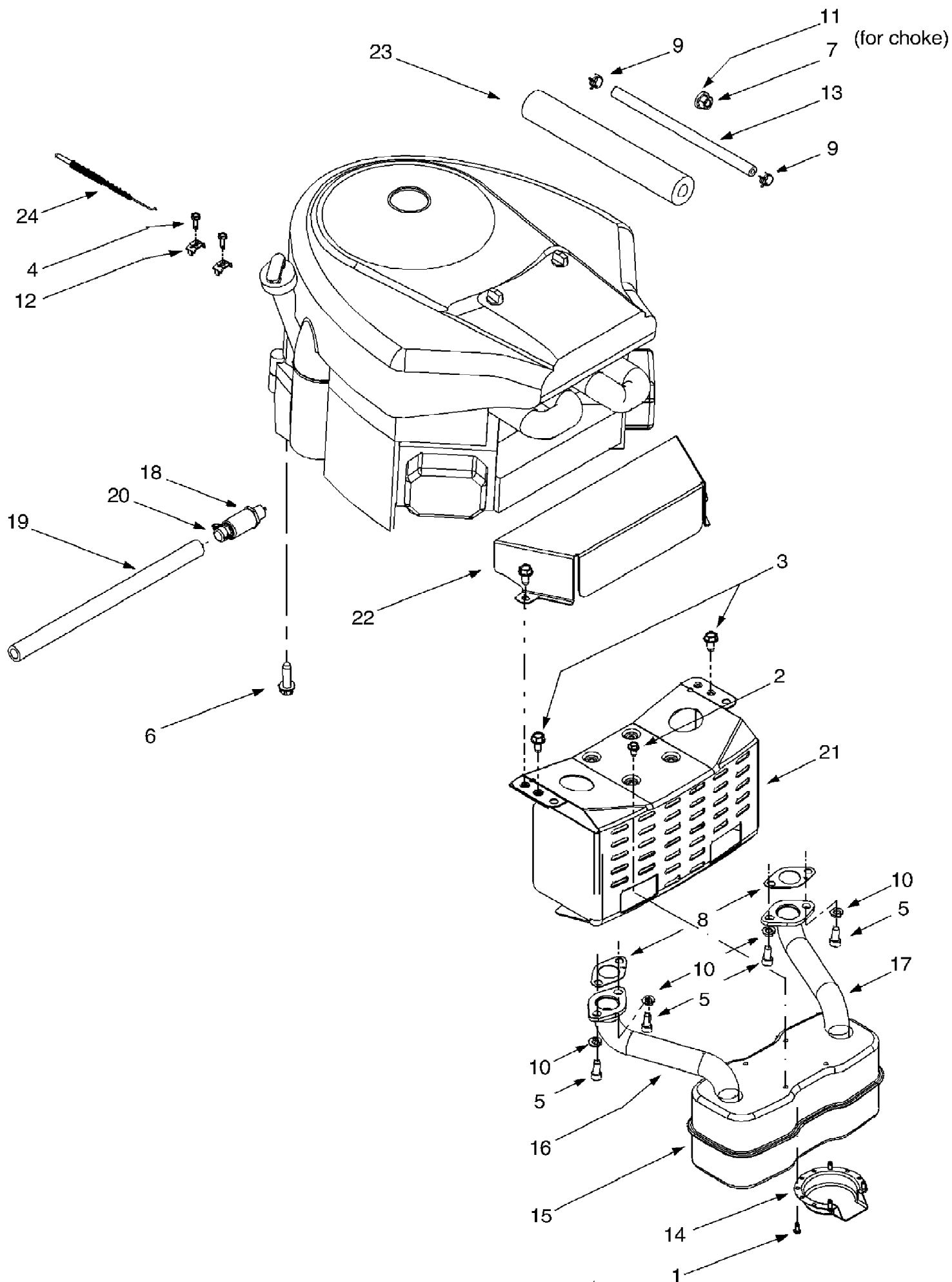
Page 4 of 18

Ref #	Part Number	Qty	S/P/F	Description
1	712-3050	1	/P	Lug Nut, 3/4-16
2	629-0949A	1		Reverse/Ground Wire Harness Adapt
3	683-0251	1		Double Idler Bracket Assembly
4	710-0189	1	/P	Hex Cap Screw, 5/16-18 x 3.00
5	710-0216	1	/P	Hex Cap Screw, 3/8-16 x .75
6	710-0227	1	/P	Screw, #8-18 x .5
7	710-0344	1	/P	Hex Cap Screw, 3/8-16 x 1.5
8	710-0599	1	/P	Self-tapping Screw, 1/4-20 x .50
9	710-0604A	1	/P	Self-tapping Screw, 5/16-18 x .625
10	710-3011	1	/P	Hex Cap Screw, 3/8-16 x 2.25
11	711-0677	1	S	Ferrule, 5/16-18
12	711-0832	1	S	Ferrule, 3/8-24
13	712-0431	1	S	Flange Lock Nut, 3/8-16
14	712-3004A	1	/P	Flange Lock Nut, 5/16-18
15	712-3017	1	S	Hex Nut, 3/8-16
16	714-0104	1	S	Internal Cotter Pin
17	714-0111	1	S	Cotter Pin
18	725-0157	1	/P	Cable Tie
19	725-1644	1		Short Spring Switch
20	726-0154	1	S	Push-mount Cable Tie
21	726-0320	1	S	Insulator Nut Plate
22	732-0716	1	S	Extension Spring, .59 x 4.0
23	732-0965	1		Extension Spring, .5 x 3.5
24	732-3118	1		Extension Spring, 3/8 x 1.44
25	736-0140	1	S	Flat Washer, .385 x .62 x .063
26	736-0169	1	S	Lock Washer, 3/8
27	736-0275	1	S	Flat Washer, .344 x .688 x .065
28	736-3010	1		Flat Washer, .407 x .812 x .135
29	738-0372	1	S	Shoulder Spacer, .38
30	747-1119	1		Hydrostatic Control Rod
31	747-1121	1	S	Hydrostatic Bypass Rod
32	747-1122	1		Hydrostatic Brake Rod
33	750-0535	1	S	Spacer, .376 x .625 x .22
34	754-0349	1	S	Drive Belt
	756-0978A	1	S	Engine Pulley
35	756-0116	1	S	V-idler Pulley, 3.06
36	756-0981A	1	S	Flat Idler Pulley, 2.75
37	783-0667A	1	S	Transmission Torque Bracket
38	783-0745	1	S	Speed Control Bracket
39	783-0782	1	S	Switch Actuator Bracket
40	647-0031	1	S	Brake Control Assembly
41	647-0049	1	S	Drive Control Assembly
42	683-0267C	1	/P	Hydro Pedal Assembly
43	710-1650	1	/P	Self-tapping Screw, 5/16-18 x .875
44	710-1260A	1	/P	Self-tapping Screw, 5/16-18 x .75
45	711-0736	1	/P	Ferrule, 1/4-20
46	711-1363	1		Pin, 3/8-16 x 2.43
47	732-0335	1		Compression Spring, .40 OD x 1.17
48	732-0955	1		Extension Spring, .50 OD x 1.41
49	732-0963	1		Extension Spring, .50 OD x 6.37
50	735-0662	1		Drive Pedal Pad
51	735-3049	1	S	Brake Pedal Pad
52	736-0133	1	S	Flat Washer, 1/4 x 1.25 x 1.0

14BJ816H190 GT-2150 (2002)
Drive & Rear Wheels

Page 5 of 18

Ref #	Part Number	Qty	S/P/F	Description
53	736-0142	1	S	Flat Washer, .281 x .50 x .063
54	736-0187	1	/P	Flat Washer, .64 x 1.24 x .06
55	736-0204	1	/P	Flat Washer, .344 x .062 x .03
56	736-3004	1	S	Flat Washer, .406 x .875 x .105
57	738-0155	1	S	Shoulder Screw, .437 x 1.62
58	738-0507B	1	S	Shoulder Screw, .5 x .434
59	741-0225	1	S	Hex Flange Bearing
60	741-3065B	1	/P	Split Hex Flange Bearing
61	747-1137	1		Cruise Control Rod
62	747-1138	1		Brake Lock Control Rod
63	748-0413	1		Cruise Latch
64	748-0415B	1	/P	Spacer, 5/16 x 1.54
65	783-0653E	1	S	Steering Support Bracket
66	783-0663C	1	S	Drive Lockout Bracket
67	783-0773	1		Brake Pedal
68	783-0693	1		Transmission Axle Bracket
69	634-0132	1		Wheel Assembly Complete, 23 x 9.5 x 12
69	634-0194	1	S	Rim Only Not Shown
69	734-0255	1	S	Air Valve Not Shown
69	734-1728	1	/P	Tire Only, Square Shoulder Not Shown
70	731-2290A	1	/P	Hub Cap
71	736-0316	1	S	Flat Washer, .780 x 1.59 x .062
72	712-3026	1	S	Jam Nut, 3/4-16
	618-0379	1	S	Hydrostatic Transmission Assembly Not shown



14BJ816H190 GT-2150 (2002)
Engine Accessories

Page 7 of 18

Ref #	Part Number	Qty	S/P/F	Description
1	710-0227	1	/P	Self-tapping Screw, #8-18 x .5
2	710-0599	1	/P	Self-tapping Screw, 1/4-20 x .5
3	710-0604A	1	/P	Self-tapping Screw, 5/16-18 x .625
4	710-1237	1		Screw, #10-32 x .625
5	710-1314A	1	/P	Socket Cap Screw, 5/16-18 x .625
6	710-1315	1	/P	Self-tapping Screw, 3/8-16 x 1.25
7	712-3017	1	S	Hex Nut, 3/8-16
8	721-0460	1		Exhaust Gasket
9	726-0205	1	/P	Hose Clamp
10	736-0119	1	S	Lock Washer, 5/16
11	736-0300	1	S	Flat Washer
12	751B221535	1	/P	Casing Clamp
13	751-0535	1		Fuel Line Hose
14	751-0564	1	S	Muffler Deflector
15	751-0616	1	S	Muffler, Twin Inlet
16	751-0650	1	S	RH Exhaust Pipe
17	751-0651	1	S	LH Exhaust Pipe
18	751-3140	1	S	Oil Drain Valve
19	751-3141	1	S	Oil Drain Hose
20	751-3142	1		Oil Drain Cap
21	783-0615B	1	S	Muffler Heat Shield
22	783-0625C	1	/P	Engine Heat Shield
23	722-0263	1	S	Foam (fits over fuel line)
24	746-1086	1	S	Throttle Cable

14BJ816H190 GT-2150 (2002)
Hood, Fuel Tank, Electrical

Page 9 of 18

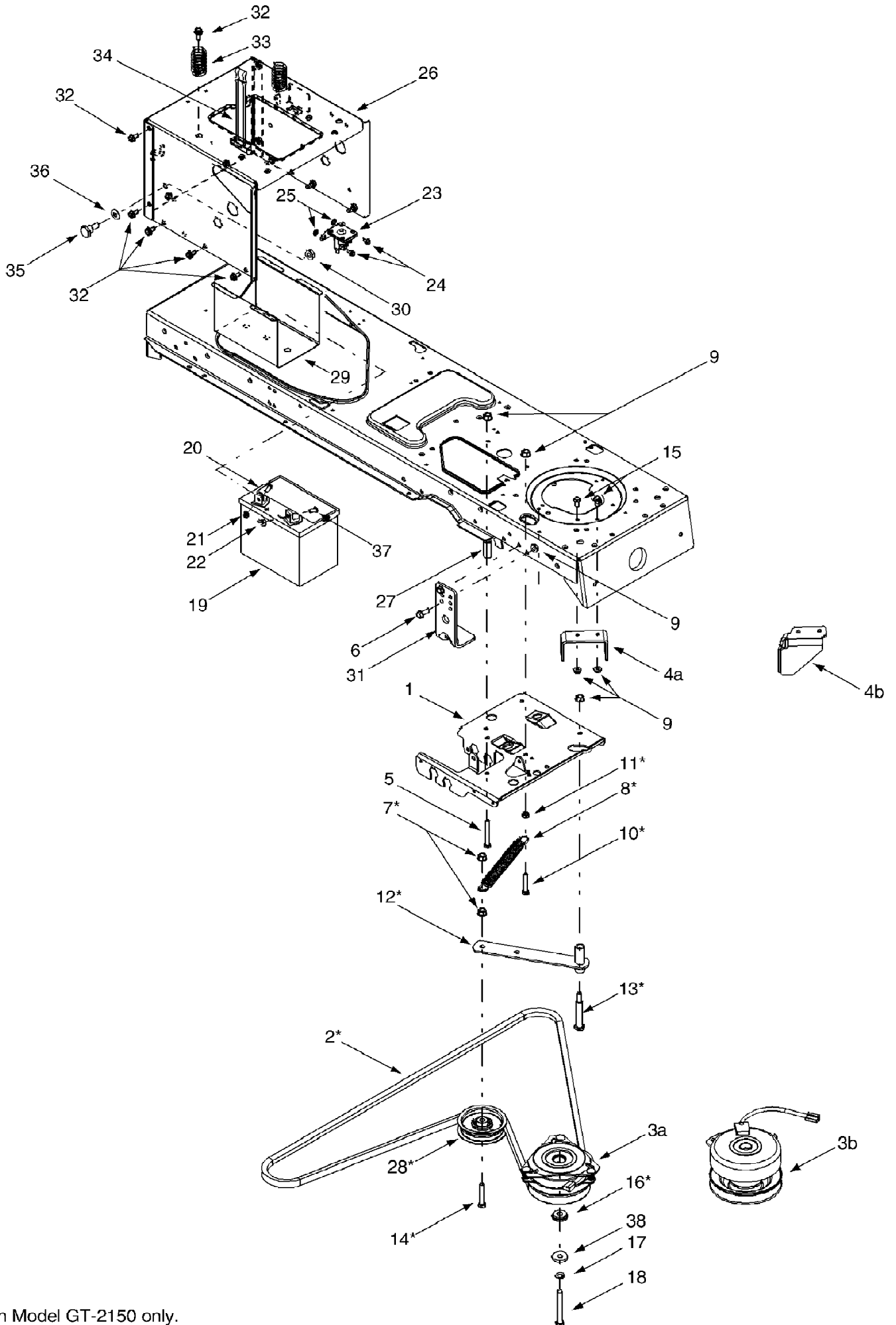
Ref #	Part Number	Qty	S/P/F	Description
1	710-3015	1	/P	Hex Cap Screw, 1/4-20 x .75
2	710-0599	1	/P	Self-tapping Screw, 1/4-20 x .5
3	712-3006	1	/P	Hex Nut, 1/4-20
4	710-0895	1		Self-tapping Screw, 1/4-15 x .75
?5	710-0924	1	/P	Pan Phillips Screw, 1/4-20 x .75
6	710-0528	1	/P	Hex Cap Screw, 5/16-18 x 1.25
7	712-0292	1	/P	U-type Speed Nut, 1/4-20
8	712-3004A	1	/P	Flange Lock Nut, 5/16-18
9	726-0201	1		Speed Nut
10	747-2127	1		Hood Latch Rod
11	731-2286	1	S	Head Light Lens
12	683-0305	1	S	Hood Bracket Assembly
13	731-2283A	1	S	Hood
14	731-2327A	1	S	LH Side Panel
15	731-2328A	1	S	RH Side Panel
16	736-0329	1	S	Lock Washer, 1/4
17	736-0342	1		Flat Washer, .283 x .75 x .030
18	736-0173	1	/P	Flat Washer, .28 x .74 x .063
19	736-3078	1	/P	Flat Washer, .349 x 1.0 x .063
20	710-0809	1		Self-tapping Screw, 1/4-20 x 1.25
21	731-2284	1		Hood Plenum w/o Intake Bellow
22	710-0604A	1	/P	Self-tapping Screw, 5/16-18 x .625
23	710-1017	1	/P	Torx Self-tapping Screw, 1/4-14 x .625
24	710-3217	1	/P	Torx Screw, #8-32 x .375
25	712-0142	1	/P	Hex Nut, 8-32
26	731-0071C	1		Dash Panel, 4-style
27	731-0072	1		Parking Brake Button
28	731-1857	1		Throttle Control Lever
29	731-2106	1		Cruise Control Button
30	747-1155	1		Brake/Cruise Pivot Rod
31	749-1087A	1	S	Dash Support Tube
32	731-2234	1	S	Intake Bellow
33	751-0658C	1	S	Fuel Tank, 3-gallon
34	751-0603	1	S	Fuel Cap
35	725-1745	1	S	Ignition Key w/ plastic cover
	725-1744	1	S	Ignition Key w/o plastic cover
36	731-2272	1	/P	Heat Shield
37	783-1000A	1	/P	Grille Support Bracket
38	725-1976	1	S	Systems Indicator Monitor
39	725-1741	1	S	Ignition Switch
40	625-0051	1	S	Headlight Assembly
41	725-1752	1	S	Electric PTO Switch
42	747-1303	1		LH Rod
43	747-1304	1	S	RH Rod
	629-0469A	1	S	Headlight Wire Harness
	629-1067	1		Tractor Wire Harness

14BJ816H190 GT-2150 (2002)
Labels

Page 11 of 18

Ref #	Part Number	Qty	S/P/F	Description
777I20809	777I20809	1		LABEL-TRANS RELEAS
777D03406	777D03406	1		LABEL-FENDER
777S30294	777S30294	1		LABEL-FLOORBOARD
777D05399	777D05399	1	/P	LABEL-STEERING CAP
777I20881	777I20881	1		LABEL-DASH
777X40219	777X40219	1		LABEL-LENS REFLECT
777D03484	777D03484	1	S	USE 777D09750 LABEL-RIDER HDS
777D03453	777D03453	1		LABEL-LOWER PANEL
777D03454	777D03454	1		LABEL-LWR PANEL GT
777D03412	777D03412	1		LABEL-ENGINE
777D03411	777D03411	1		
777D03126	777D03126	1		LABEL-REFLECTOR FN
777D03407	777D03407	1		LABEL SET-HOOD LH/
777D03408	777D03408	1		

14BJ816H190 GT-2150 (2002)
PTO, Battery, Frame



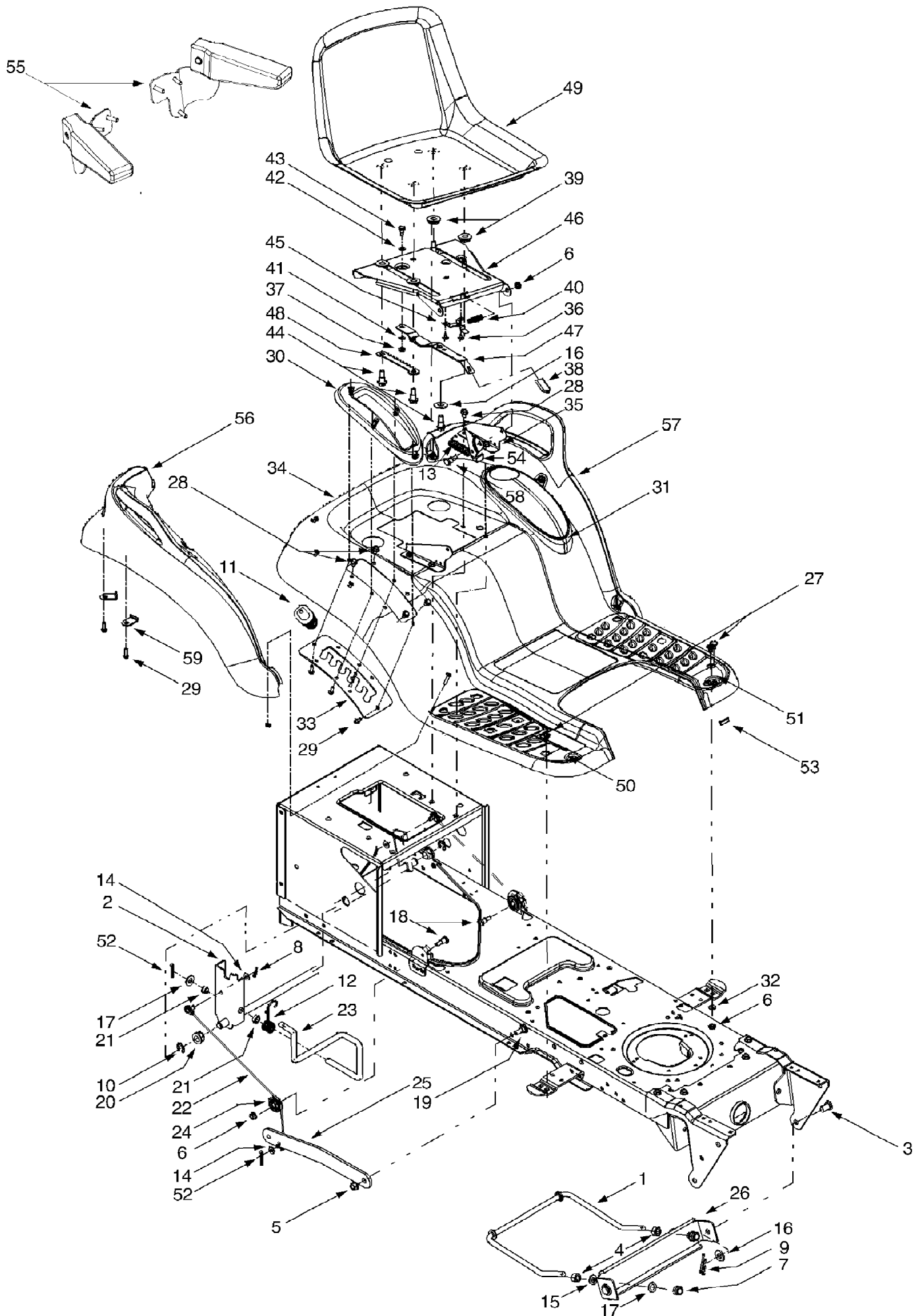
* Found on Model GT-2150 only.

14BJ816H190 GT-2150 (2002)
PTO, Battery, Frame

Page 13 of 18

Ref #	Part Number	Qty	S/P/F	Description
1	783-0653E	1	S	Steering Support Bracket
2	754-0476	1	S	PTO Belt
3A	717-1709	1	S	Electric PTO Clutch (Model GT-2150)
3B	717-1774C	1	S	Electric PTO Clutch (Model GT-2550) Replaces 717-1774, Also requires 736-0277 Flat Washer
3B	736-0277	1		Washer, Flat, 1.031 x 1.620 x .095 Use with 717-1774C
4A	783-1003	1	S	PTO Clutch Anti-rotation Bracket (Model GT-2150)
4B	783-1487	1	S	PTO Clutch Anti-rotation Bracket (Model GT-2550)
5	710-0859	1	/P	Hex Cap Screw, 3/8-16 x 2.5
6	710-1238	1	/P	Hex Head Washer Screw, 5/16-18 x .875
7	712-0431	1	S	Flange Lock Nut, 3/8-16
8	732-0978	1		Extension Spring, .62 x 5.62
9	712-3004A	1	/P	Flange Lock Nut, 5/16-18
10	710-3180	1	/P	Hex Cap Screw, 5/16-18 x 1.75
11	712-3010	1	S	Hex Nut, 5/16-18
12	683-0294	1	S	Idler Bracket Assembly
13	738-3056	1	S	Shoulder Screw, 1/2 x 2.5
14	710-3144	1	/P	Hex Cap Screw, 3/8-16 x 2.0
15	710-3025	1	/P	Hex Cap Screw, 5/16-18 x .625
16	738-0785	1	S	Shoulder Spacer, 1.38 x .445 x .36
17	736-0171	1	S	Lock Washer, 7/16
18	710-3157	1	S	Hex Cap Screw, 7/16-20 x 3.25 (Grade 5)
19	725-1706	1	S	12-volt Battery, 270 CCA
20	710-0751	1	/P	Hex Cap Screw, 1/4-20 x .62
21	712-0271	1	/P	Hex Sems Nut, 1/4-20
22	712-3087	1	/P	Wing Nut, 1/4-20
23	725-1426	1	S	Solenoid, 12-Volt, 100 Amp
24	710-0599	1	/P	Self Tapping Screw, 1/4-20 x .5
25	736-0222	1	S	Lock Washer, 1/4
26	783-1033A	1	/P	Hitch Plate
27	748-0415B	1	/P	Spacer, 3/8 x 1.54
28	756-0627B	1	S	Idler Pulley, 3.5
29	783-0349	1		Battery Tray
30	712-0459	1	/P	Flange Lock Nut, 7/16-20
31	783-0891B	1		Deck Stop
32	710-0604A	1	/P	Self Tapping Screw, 5/16-18 x .625
33	732-3080	1	S	Compression Spring, 1.28 x 3.5
34	723-0444	1		Battery Strap
35	738-1020	1		Shoulder Screw, .625 x .5, 7/16-20
36	736-0407	1		Bell Washer, .45 x 1.0 x .062
37	738-1132	1		Shoulder Screw, 1/4-20, .25 x .15
38	736-0322	1	/P	Flat Washer, .45 x 1.25 x .164

14BJ816H190 GT-2150 (2002)
Seat, Fender & Frame



14BJ816H190 GT-2150 (2002)
Seat, Fender & Frame

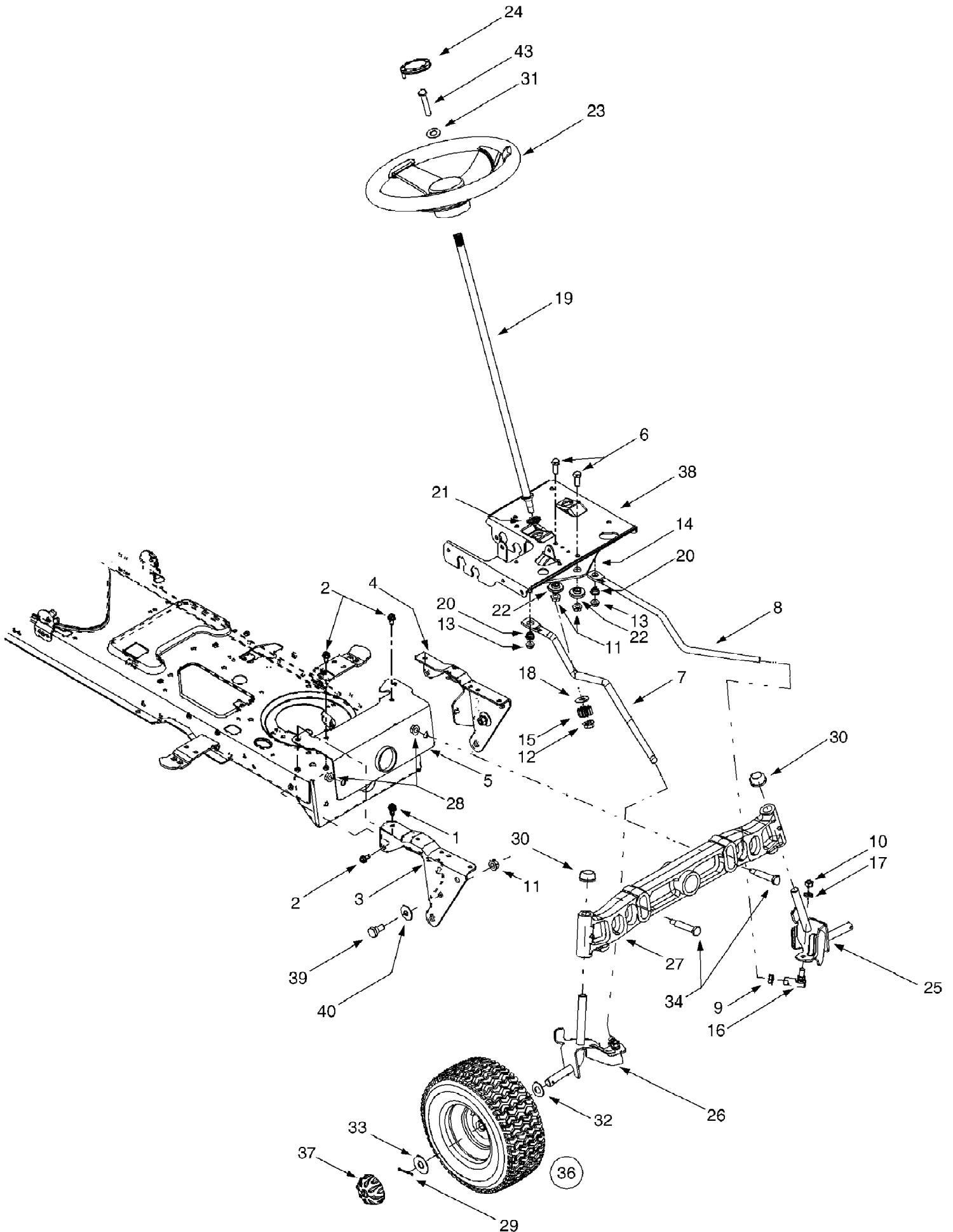
Page 15 of 18

Ref #	Part Number	Qty	S/P/F	Description
1	747-1130B	1	/P	Deck Stabilizer Rod (Model GT-2150)
	747-1324	1		Deck Stabilizer Rod (Model GT-2550)
2	683-0197A	1		Lift Shaft Assembly (Model GT-2150))
	683-0642	1		Lift Shaft Assembly (Model GT-2550)
3	711-0332	1	S	Clevis Pin, .5 x .78
4	712-0206	1	S	Hex Nut, 1/2-13
5	712-0431	1	S	Flange Lock Nut, 3/8-16
6	712-3004A	1	/P	Flange Lock Nut, 5/16-18
7	712-3083	1	/P	Hex Nut, 1/2-13
8	714-0104	1	S	Internal Cotter Pin
9	714-0145	1	S	Internal Cotter Pin
10	716-0106	1	/P	E-ring
11	720-0311	1		Handle Grip
12	732-0874	1	/P	Torsion Spring
13	732-1184	1	/P	Extension Spring, .84 x 4.6
14	736-0275	1	S	Flat Washer, 5/16
15	736-0921	1	S	Lock Washer, 1/2
16	736-3019	1		Flat Washer, .31 x 1.062 x .134
17	736-3084	1	/P	Flat Washer, .51 x 1.12 x .06
18	738-0138A	1	/P	Hex Cap Screw, 5/16-18 x .62
19	738-0143	1	/P	Shoulder Screw, 3/8-16
20	741-0225	1	S	Hex Flange Bearing
21	741-0715	1	S	Snap Flange Bearing
22	746-0968	1		Lift Cable, 16.16
23	747-1111A	1	/P	Lift Handle
24	756-1154	1		Roller Pulley
25	783-0678A	1	S	Arm Lift
26	783-0720A	1	S	Deck Stabilizer Bracket
27	710-0260A	1	/P	Carriage Bolt, 5/16 x .62
28	710-0604A	1	/P	Self-tapping Screw, 5/16-18 x .625
29	710-0895	1		Self-tapping Screw, 1/4-15 x .75
30	731-1990	1		Lift Lever Cover
31	731-1993	1		Cover w/ Cup Holder
32	736-3078	1	/P	Flat Washer, .349 x 1.0 x .063
33	783-0677	1	S	Lift Adjustment Bracket
34	783-1279	1	/P	Fender
35	783-1489	1	S	Seat Mounting Bracket
36	710-1268	1	/P	Screw, #10-16 x .375
37	712-3027	1	S	Hex Flange Lock Nut, 1/4-20
38	720-0309A	1	/P	Seat Adjuster Grip
39	731-1989	1		Spacer
40	732-0499	1		Compression Spring, .41 x 1.5
41	736-0175	1	S	Spring Washer, .265 x .562 x .025
42	736-0204	1	/P	Flat Washer, .344 x .62 x .03
43	738-0137A	1	S	Shoulder Screw, .340 x .285, 1/4-20
44	738-1007	1		Shoulder Screw, .50 x .50, 3/8-16
45	783-0611	1		Seat Stop
46	783-0738	1	S	Seat Pivot Bracket
47	783-0739	1		Seat Adjustment Lever
48	783-0753	1		Seat Adjustment Selector
49	757-0388	1		High Back Seat w/ Drain Holes, Black
50	735-0656	1		RH Foot Pad
51	735-0657	1		LH Foot Pad

14BJ816H190 GT-2150 (2002)
Seat, Fender & Frame

Page 16 of 18

Ref #	Part Number	Qty	S/P/F	Description
	726-3046	1	/P	Foot Pad Clips
52	714-0111	1	S	Cotter Pin
53	731-0511	1	/P	Trim Strip
54	783-0209A	1	S	LH Seat Lift Bracket
	17239A	1	S	RH Seat Lift Bracket
55	757-3009	1		Armrest Assembly (Includes LH & RH)
56	731-2618	1		RH Fender Flare
	710-0932	4	/P	Carriage Bolts
	712-0271	4	/P	Nuts
57	731-2619	1		LH Fender Flare
	710-0932	4	/P	Carriage Bolts
	712-0271	4	/P	Nuts
58	738-0296	1	S	Shoulder Screw, .437 x .286
59		1		Fender Clips (No Longer Used) (Use Carriage Bolt)
	910-0932	8	S	Carriage Bolt 1/4-20 x 1.0" Lg
	921-0271	8		Hex Nut 1/4-20 Thd.



14BJ816H190 GT-2150 (2002)
Steering, Front Wheels, Axle

Page 18 of 18

Ref #	Part Number	Qty	S/P/F	Description
1	710-1260A	1	/P	Self-tapping Screw, 5/16-18 x .75
2	710-0604A	1	/P	Self-tapping Screw, 16-18 x .625
3	783-0726B	1	S	RH Pivot Support Bracket
4	783-0727A	1	S	LH Pivot Support Bracket
5	783-0728	1		Pivot Bar Bracket
6	710-0514	1	/P	Hex Cap Screw, 3/8-16 x 1 (Grade 5)
7	711-1408	1		RH Drag Link
8	711-1409A	1	/P	LH Drag Link
9	712-0240	1	S	Jam Nut, 7/16-20 (Grade 2)
10	712-0241	1	/P	Hex Nut, 3/8-24 (Grade 2)
11	712-0431	1	S	Flange Lock Nut, 3/8-16
12	712-0459	1	/P	Flange Lock Nut, 7/16-20
13	712-3004A	1	/P	Flange Lock Nut, 5/16-18
14	717-1550D	1	S	Steering Gear, 11/90 Ratio
15	717-1554	1		Steering Pinion Gear
16	723-0448A	1	S	Ball Joint, 7/16-20
17	736-0169	1	S	Lock Washer, 3/8
18	736-3084	1	/P	Flat Washer, .51 x 1.12 x .06
19	738-1001A	1	/P	Steering Shaft, .625 OD x 24.4
20	741-0475	1	S	Plastic Bushing, .38 ID
21	741-0656	1	S	Hex Flange Bearing, 5/8
22	738-0372B	1	/P	Shoulder Spacer, .38 ID
23	731-2624	1		Steering Wheel, Soft Grip, Three Spoke
24	731-2625	1		Steering Wheel Cap, Round
25	638-0017	1	S	LH Axle Assembly, .75 Diameter
26	638-0018	1	S	RH Axle Assembly, .75 Diameter
27	719-0525B	1	S	Cast Iron Pivot Bar w/ Fittings, .75
28	712-0431	1	S	Flange Lock Nut, 3/8-16
29	714-0162	1	/P	Cotter Pin
30	726-0341	1	/P	Push Cap, .750
31	736-0242	1	/P	Bell Washer, .34 x .872
32	736-0316	1	S	Flat Washer, .78 x 1.59 x .06
33	736-0285	1	/P	Flat Washer, .635 x 1.589 x .06
34	738-1011	1	S	Shoulder Screw, .5 x 2.2, 3/8-16
35	710-0643	1	/P	Hex Bolt, 5/16-18 X 1
36	634-0085	1		Wheel Assembly Complete, 16 x 6.5 x 8
	634-0071	1		Rim Only w/ Ball Bearing
	734-0255	1	S	Air Valve (Not Shown)
	734-1727	1	/P	Tire Only, Square Shoulder
37	731-2290	1	S	Hub Cap
38	783-0653E	1	S	Steering Support Bracket
39	738-0143	1	/P	Shoulder Screw, 3/8-16
40	736-0331	1	/P	Bell Washer, .39 x 1.13 x .062
43	710-0643	1	/P	Hex Bolt, 5/16-18 X 1